

T23 SERIES

温控开关
THERMOSTAT

特性规格 SPECIFICATIONS

额定电流电压 Electrical Rating	16A/250V AC, 12A/125V AC, 10A/250V AC (电阻式负载) Resistive Load
动作温度 Operating Temp	50度~200度 (ULCUL 205度) 50°C~200°C (摄氏温度)
复位区间 Differential	10度~30度 (摄氏温度) 10~30K (15K Standard)
温度允差 Temp. Tolerance	动作:(Operating Temp.)±3, ±5, ±8 复位:(Returning Temp.)±4, ±8, ±12
内部阻抗 Circuit Resistance	小于50mΩ
工作温度 (连续温度) Heat Durability	220°C(PPS)
绝缘值 Insulation Resistance	以绝缘阻抗表在直流500伏电压 测试不小于100mΩ 100mΩmin. at DC 500v
耐电压 Dielectric Strength	>1250伏特1分钟, 在上盖与导电端子间 (漏电流0.5mA) AC 1250V for one minute
动作寿命 Operating Life	100000次 (10安培250伏特交流电) 100000 Cycles(15A 125V AC/10A 250V AC) 10000次 (16安培250伏特交流电) 10000 Cycles(16A 250V AC)
重量 Weight	4.6g MAX.

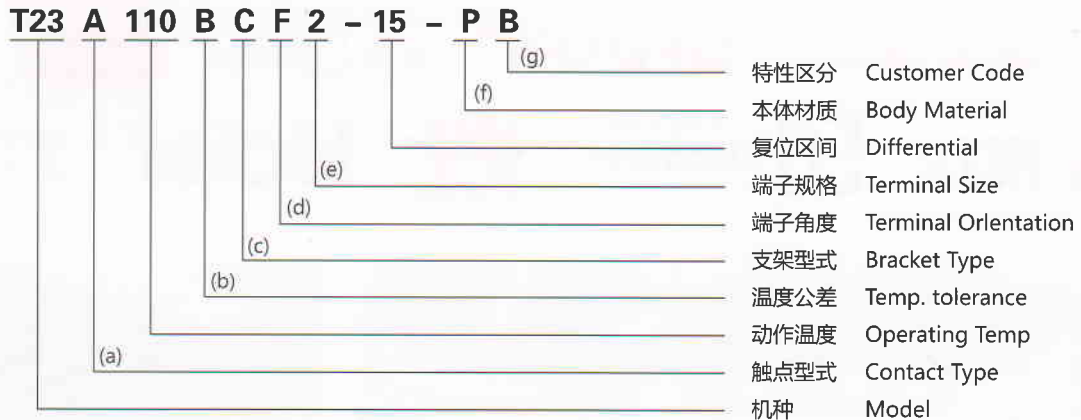


T23-CF2-PP



T23-CF2-PB

机种码 MODEL CODE



(a)触电型式 CONTACT TYPE:

- A=温度上升至设定点时“切断” Contact opens when temperature rises to set point (Normally closed)
 B=温度上升至设定点时“接通” Contact closes when temperature rises to set point (Normally open)
 M=Manual reset(手动复位)

(b)标准温度误差 TEMP.TOLERANCE:

Grade	A(50-105度摄氏温度) A(50-105°C)	B(106-180度摄氏温度) B (106-180°C)	C(180-250度摄氏温度) C (180-250°C)
Action ±°C	3	5	8
Reset ±°C	4	8	12

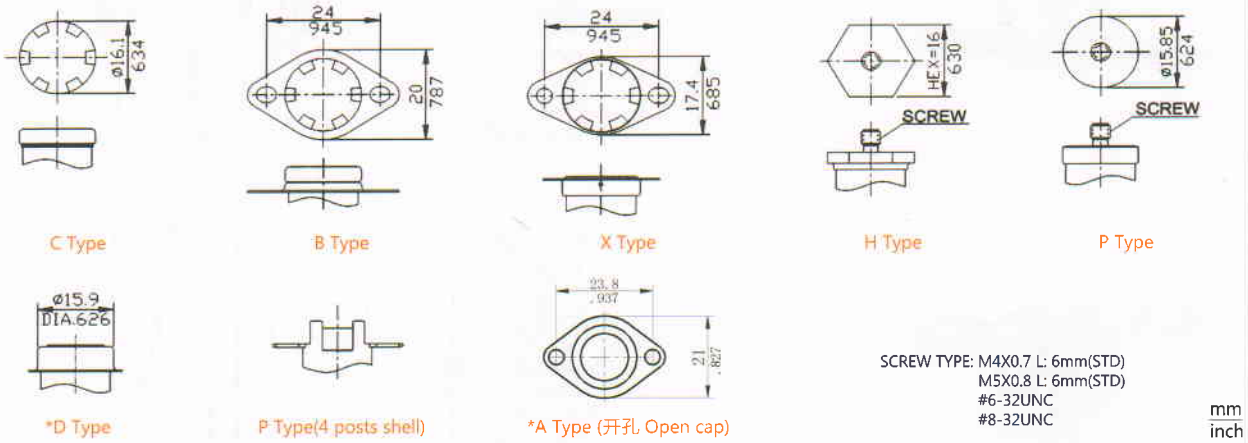
注: 105°C以下温度公差等级为“A” The grade of temp.tolerance is “A”.When the operating temp. is less than 105°C
 106°C以下温度公差等级为“B” The grade of temp.tolerance is “B”.When the operating temp. is less than 106°C
 180°C以下温度公差等级为“C” The grade of temp.tolerance is “C”.When the operating temp. is less than 180°C

T23 SERIES

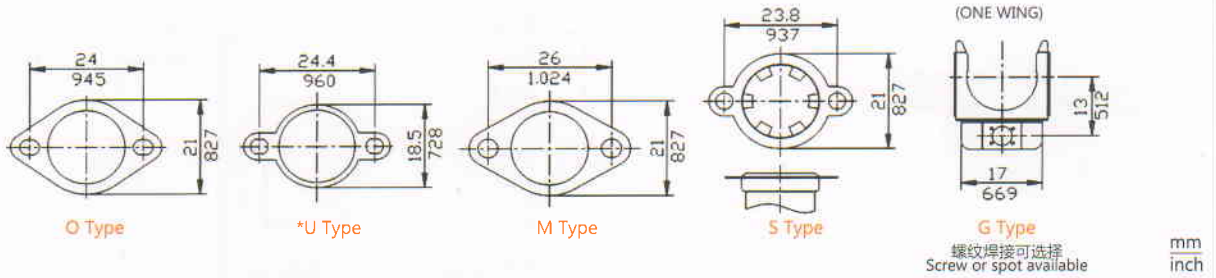
温控开关
THERMOSTAT

(b) 支架型式 BRACKET TYPE:

固定支架 FIXED BRACKET



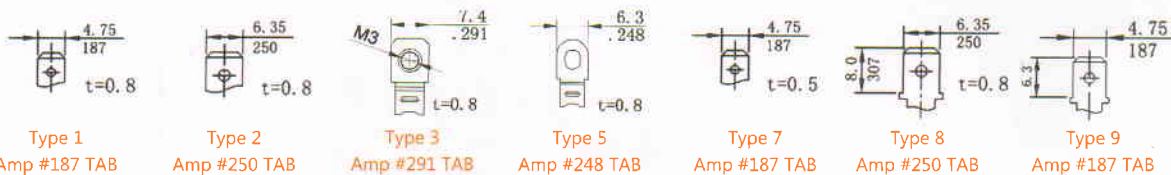
活动支架 LOOSE BRACKET



(c) 端子角度 TERMINAL ORIENTATION:



(d) 端子规格 TERMINAL SIZE:

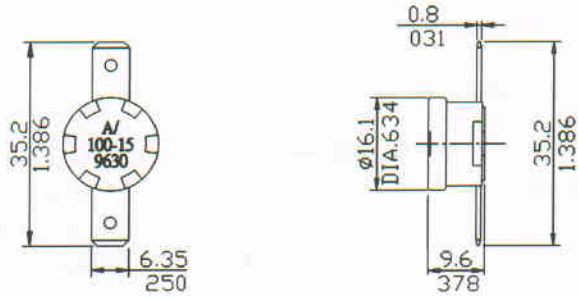


端子脚规格可依客户要求定制 Terminals can be changed (made) based on customer's requirement

mm
inch

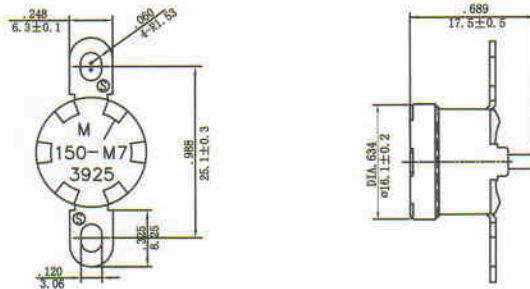
T23 SERIES

温控开关
THERMOSTAT



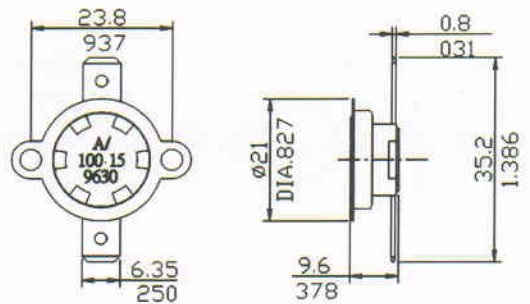
T23-CF2-PB

mm
inch



T23M-CF2-PB

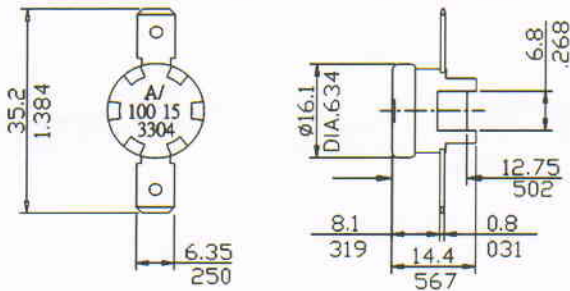
mm
inch



T23-SF2-PB

活动支架 LOOSE BRACKET

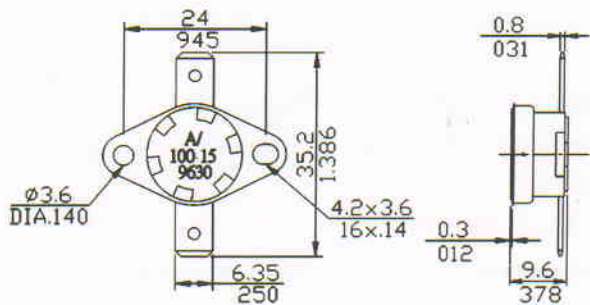
mm
inch



T23-CF2-PP

四柱 4-POST

mm
inch



T23-XF2-PB

固定支架 FIX BRACKET

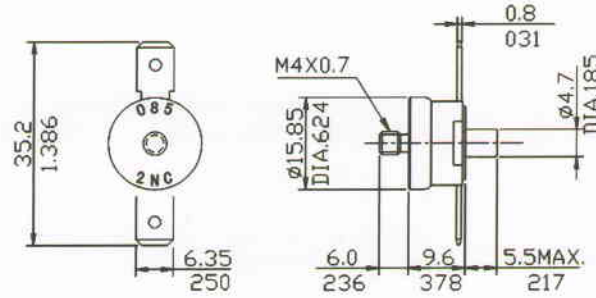
mm
inch

T23 SERIES

温控开关
THERMOSTAT



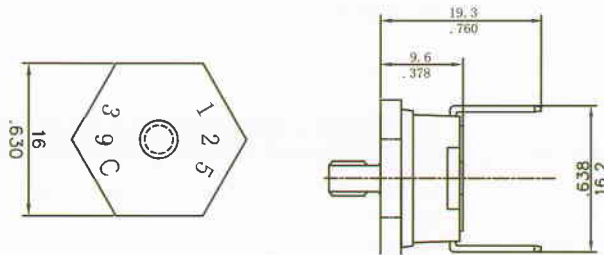
T23-RF2-PB



mm
inch



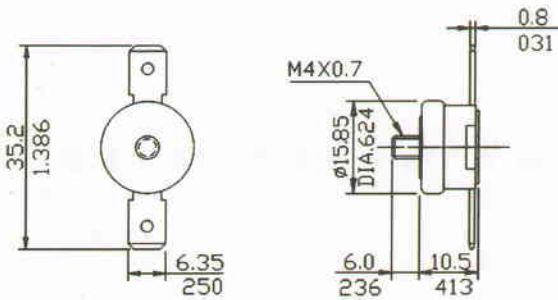
T23-HR2-PB



mm
inch



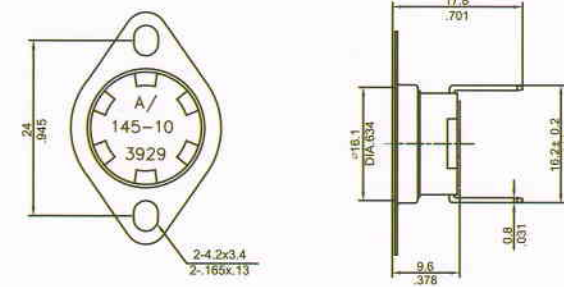
T23-PF2-PB



mm
inch



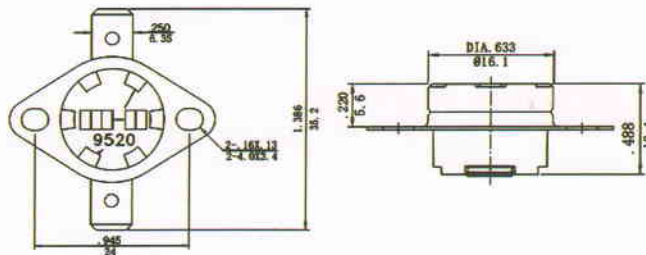
T23-UF2-PB



mm
inch



T23-4-TB



mm
inch