

RC系列翘板开关



技术参数 SPECIFICATION:

安规认证 (safety approval) :UL, CUL, VDE, ENEC, CQC
 电气规格 (Electrical rating) :6A/10A 250VAC, 10A/15A125VAC
 机械寿命 (Mechanical life endurance) :30000 cycles
 电器寿命 (Electrical life endurance) :10000 cycles
 接触电阻 (Contact resistance) :<20mΩ
 绝缘电阻 (Insulation resistance) :>1000MΩ
 环境温度 (Ambient temperature) :>T85/T105
 防火等级 (Flammability) :UL94 V-2. UL94 V-0.灼热丝, 针焰测试
 外壳材料 (Material of housing) :PA66
 触电材料 (Contacts) :银合金 (Silver alloy)
 端子材料 (Terminal) :铜镀镍 (Copper silver plated)
 端子焊性 (Solder ability of terminal) :Max 350°C 3S, 用手焊接时, 不可给端子施加压力

料号 Ordering Procedure

RC	9	5	K	K	D	E	T	L	L	L	B																																																	
SERIES	SWITCH FUNCTION	RATING	HOUSING COLOR	ACTUATOR COLOR	COLOR OF WINDOW	MARKING	TERMINAL	LAMP VOLTAGE	SHAPE OF WINDOW	COLOR OF LAMP	SAFETY APPROVAL																																																	
9	SERIES (LIGHTED)		<table border="1"> <tr><td>K(BLACK)</td><td><input type="radio"/></td><td><input type="radio"/></td></tr> <tr><td>W(WHITE)</td><td><input type="radio"/></td><td><input type="radio"/></td></tr> <tr><td>G(GRAY)</td><td><input type="radio"/></td><td><input type="radio"/></td></tr> <tr><td>O(ORANGE)</td><td><input type="radio"/></td><td><input type="radio"/></td></tr> <tr><td>R(RED)</td><td><input type="radio"/></td><td><input checked="" type="radio"/></td></tr> <tr><td>N(GREEN)</td><td><input type="radio"/></td><td><input type="radio"/></td></tr> <tr><td>Y(YELLOW)</td><td><input type="radio"/></td><td><input type="radio"/></td></tr> <tr><td>B(BLUE)</td><td><input type="radio"/></td><td><input type="radio"/></td></tr> <tr><td>V(VIOLET)</td><td><input type="radio"/></td><td><input type="radio"/></td></tr> <tr><td>D(RED)illu.</td><td><input type="radio"/></td><td><input checked="" type="radio"/></td></tr> <tr><td>M(GREEN)illu.</td><td><input type="radio"/></td><td><input checked="" type="radio"/></td></tr> <tr><td>Y(YELLOW)illu.</td><td><input type="radio"/></td><td><input checked="" type="radio"/></td></tr> <tr><td>F(BLUE)illu.</td><td><input type="radio"/></td><td><input checked="" type="radio"/></td></tr> </table>	K(BLACK)	<input type="radio"/>	<input type="radio"/>	W(WHITE)	<input type="radio"/>	<input type="radio"/>	G(GRAY)	<input type="radio"/>	<input type="radio"/>	O(ORANGE)	<input type="radio"/>	<input type="radio"/>	R(RED)	<input type="radio"/>	<input checked="" type="radio"/>	N(GREEN)	<input type="radio"/>	<input type="radio"/>	Y(YELLOW)	<input type="radio"/>	<input type="radio"/>	B(BLUE)	<input type="radio"/>	<input type="radio"/>	V(VIOLET)	<input type="radio"/>	<input type="radio"/>	D(RED)illu.	<input type="radio"/>	<input checked="" type="radio"/>	M(GREEN)illu.	<input type="radio"/>	<input checked="" type="radio"/>	Y(YELLOW)illu.	<input type="radio"/>	<input checked="" type="radio"/>	F(BLUE)illu.	<input type="radio"/>	<input checked="" type="radio"/>						<table border="1"> <tr><td>L</td><td>ELLIPSE (FOR LED LAMP)</td></tr> <tr><td>C</td><td>ROUND(FOR NEON OR TUNGSTEN LAMP)</td></tr> <tr><td>E</td><td>NO WINDOW (FOR NEON OR TUNGSTEN LAMP)</td></tr> </table>	L	ELLIPSE (FOR LED LAMP)	C	ROUND(FOR NEON OR TUNGSTEN LAMP)	E	NO WINDOW (FOR NEON OR TUNGSTEN LAMP)						
K(BLACK)	<input type="radio"/>	<input type="radio"/>																																																										
W(WHITE)	<input type="radio"/>	<input type="radio"/>																																																										
G(GRAY)	<input type="radio"/>	<input type="radio"/>																																																										
O(ORANGE)	<input type="radio"/>	<input type="radio"/>																																																										
R(RED)	<input type="radio"/>	<input checked="" type="radio"/>																																																										
N(GREEN)	<input type="radio"/>	<input type="radio"/>																																																										
Y(YELLOW)	<input type="radio"/>	<input type="radio"/>																																																										
B(BLUE)	<input type="radio"/>	<input type="radio"/>																																																										
V(VIOLET)	<input type="radio"/>	<input type="radio"/>																																																										
D(RED)illu.	<input type="radio"/>	<input checked="" type="radio"/>																																																										
M(GREEN)illu.	<input type="radio"/>	<input checked="" type="radio"/>																																																										
Y(YELLOW)illu.	<input type="radio"/>	<input checked="" type="radio"/>																																																										
F(BLUE)illu.	<input type="radio"/>	<input checked="" type="radio"/>																																																										
L	ELLIPSE (FOR LED LAMP)																																																											
C	ROUND(FOR NEON OR TUNGSTEN LAMP)																																																											
E	NO WINDOW (FOR NEON OR TUNGSTEN LAMP)																																																											
2	6A 250VAC																																																											
5	10A 250VAC 15A 125VAC 10(4)A 250VAC																																																											



RC15KKFT00B



RC95KKDETLR



RC95KKDET1CNB



RC95KREFT2EBB



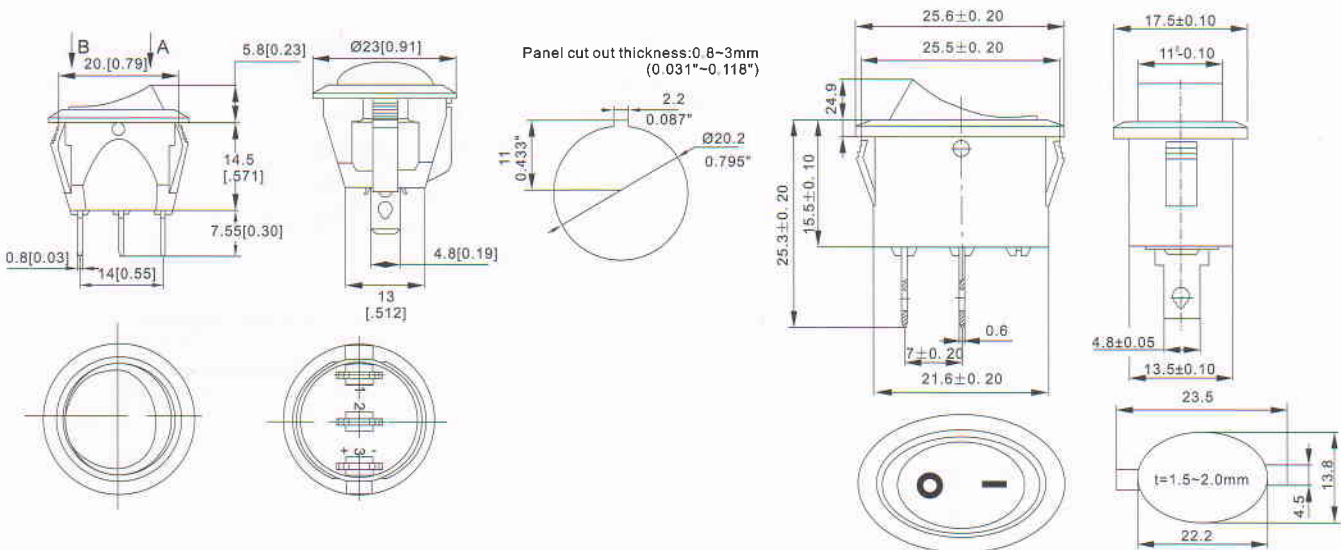
RC12KKFT00BO

开关功能 Option Of Switch Function

Item No	POLES & THROWS	Rocker position ():Momentary		
		Left	Center	Right
RC1	SPST	ON	None	OFF
RC2	SPDT	ON	None	ON
RC3	SPDT	ON	OFF	ON
RC4	SPDT	ON	None	(ON)
RC5	SPST	(ON)	None	OFF
RC6	SPDT	(ON)	OFF	(ON)
RC7	SPST	ON	None	(OFF)
RC8	SPDT	ON	OFF	(ON)
RC9	SPST (WITH LAMP)	ON	None	OFF



外形尺寸 Dimension



可生产直流6V 12V 24V等灯压



RC15GGET00B



RC15YKET00B



RC35WWET00B



RC12KKFT00BO



RC95KREET2EBBO