

R9(R19)系列翘板开关

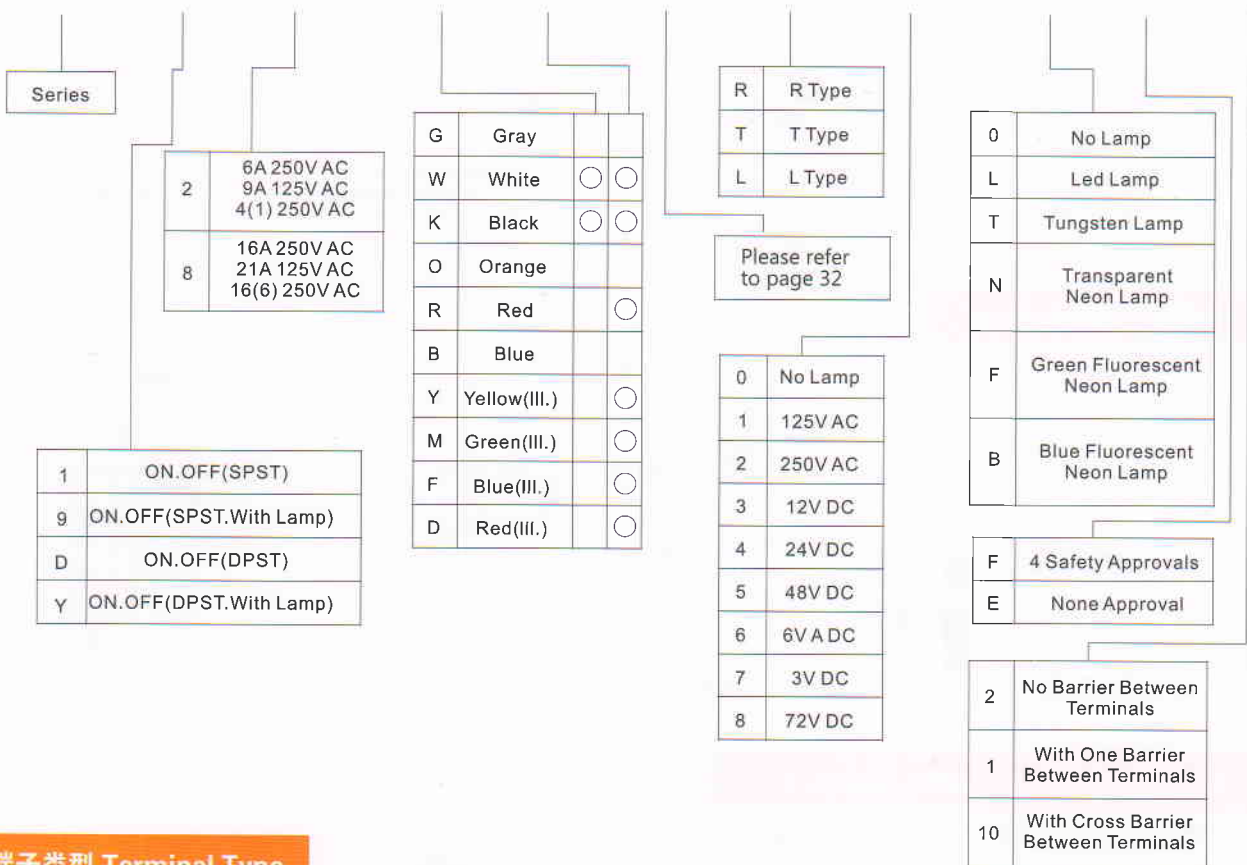


技术参数 SPECIFICATION:

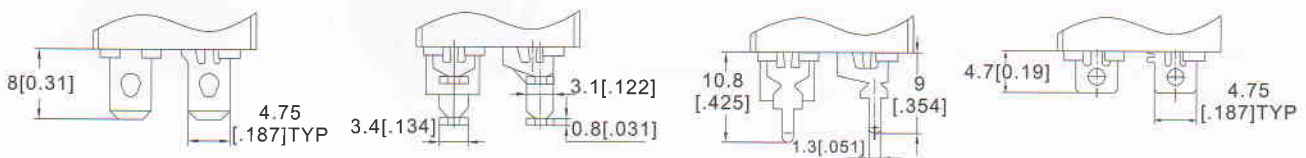
安规认证 (safety approval) :UL, CUL, VDE, ENEC, CQC
 电气规格 (Electrical rating) :6A/12A/16A 250VAC, 12A/21A 125VAC
 机械寿命 (Mechanical life endurance) :30000 cycles
 电器寿命 (Electrical life endurance) :10000 cycles
 接触电阻 (Contact resistance) :<20mΩ
 绝缘电阻 (Insulation resistance) :>1000MΩ
 环境温度 (Ambient temperature) :>T85/T105
 防火等级 (Flammability) :UL94 V-2. UL94 V-0.灼热丝, 针焰测试
 外壳材料 (Material of housing) :PA66/PC
 触电材料 (Contacts) :银合金 (Silver alloy)
 端子材料 (Terminal) :铜镀镍 (Copper silver plated)
 端子焊性 (Solder ability of terminal) :Max 350°C 3S, 用手焊接时, 不可给端子施加压力

料号 Ordering Procedure

R9 1 2 K K E T 0 0 F 1
 SEREIRS SWITCH RATING HOUSING ACTUATOR MARKING TERMIANL LAMP TERMIANL SAFETY
 FUNCITON RATING COLOR COLOR MARKING VLOTAGE TYPE APPROVAL



端子类型 Terminal Type

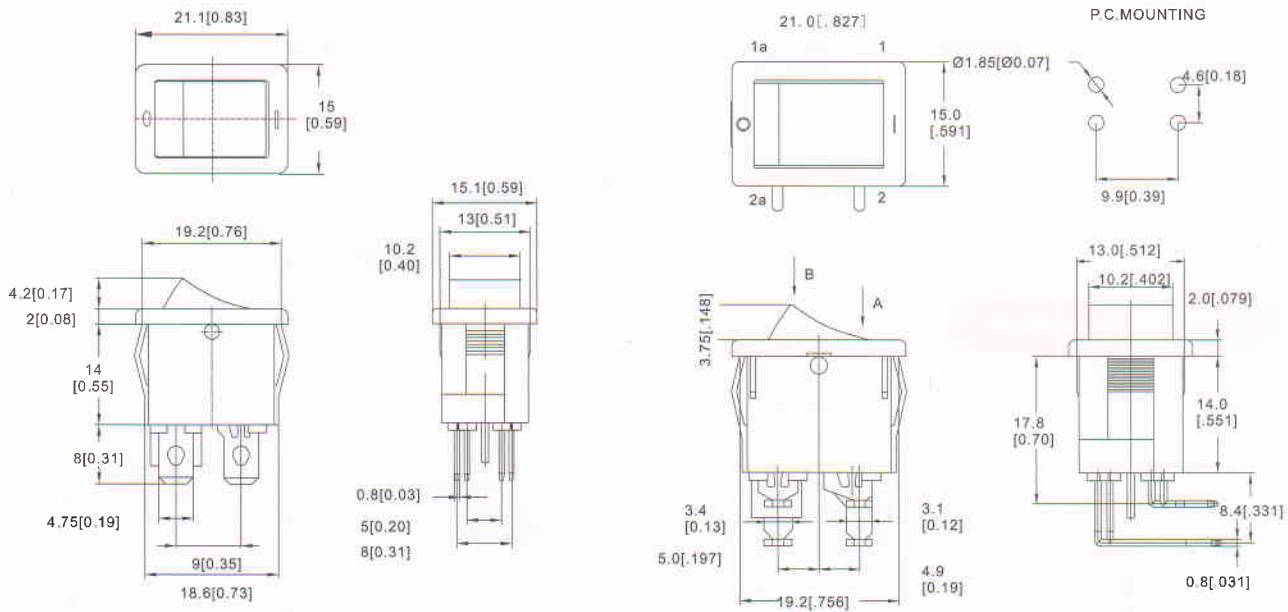


开关功能 Option Of Switch Function

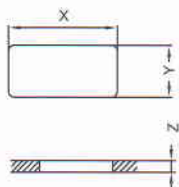


Item No	POLES & THROWS	Rocker position():Monmentary		
		Left	Center	Right
R91	SPST	ON	None	OFF
R99	SPST(With lamp)	ON	None	OFF
R9D	DPST	ON	None	OFF
R9Y	DPST(With lamp)	ON	None	OFF
R9I	Indicator			

外形尺寸 Dimension



开孔尺寸 Panel Cut Out



PANEL CUT-OUT		
Z	Y	X
0.7~1.25 [0.028~.049]	12.90~13.10 [0.508~.515]	19.10~19.20 [0.752~.756]
1.25~2.0 [0.049~.079]	12.90~13.10 [0.508~.515]	19.30~19.40 [0.760~.764]
2.0~3.0 [0.079~.118]	12.90~13.10 [0.508~.515]	19.40~19.60 [0.764~.772]



R9D2KKFT00F10



R912WWFT00F1



R992WDFT2NF1



R9Y2WFFT2FF1



R9Y2KMFT2FF10